



**EPIC Series - Assembly Instructions**



Read over the manual before you begin.  
Two people are suggested for assembly.

**CONTENT CHECKLIST**



2x Philips Head Screw



Screw Kit:  
4x MB Screw (20mm)  
4x Split Washer  
4x Washer



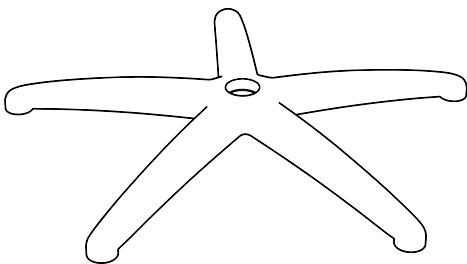
1x Allen Key



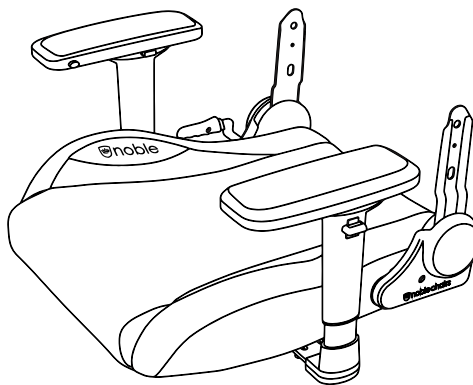
1x Neck Pillow



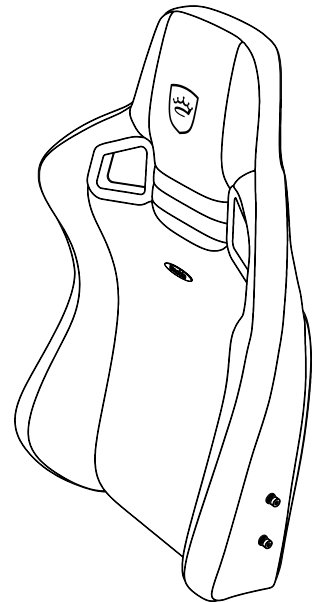
1x Lumbar Pillow



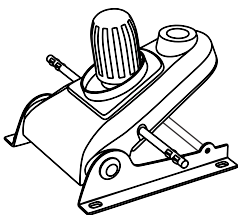
1x Wheel Base



1x Chair Base



1x Backrest  
4x MB Screw (30mm) with  
pre-mounted Washers



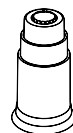
1x Tilt Mechanism



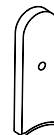
5x Caster



1x Hydraulic Gas Lift



1x Hydraulic Sleeve



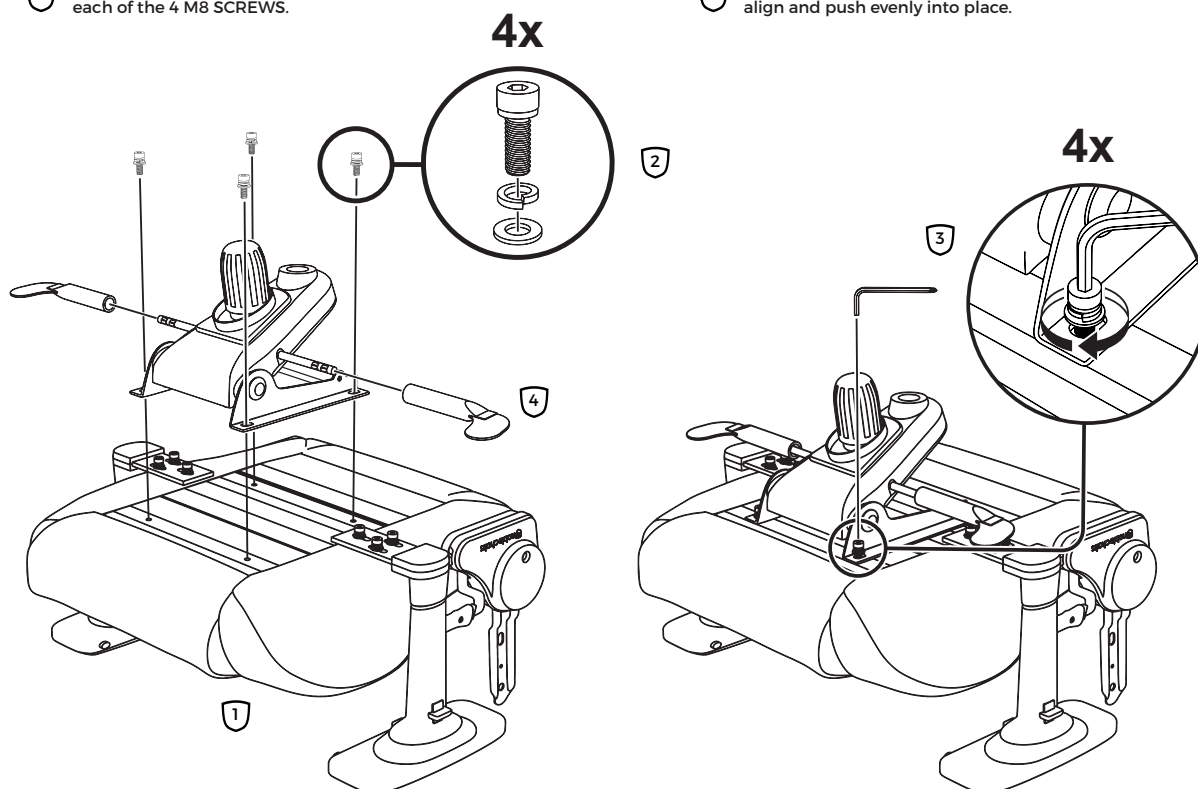
2x Side Cover



2x Lever Cover

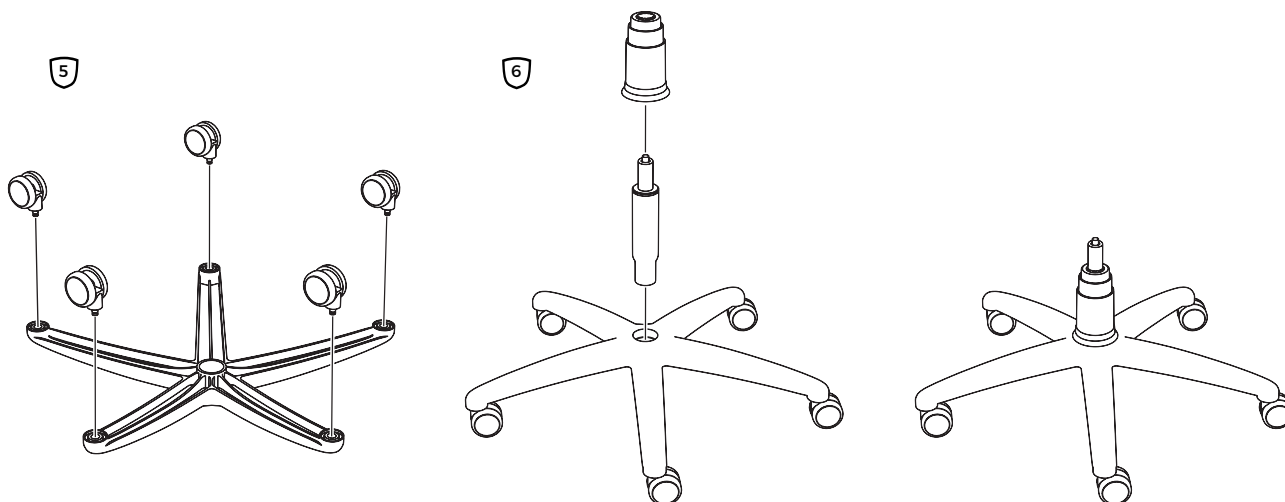
## TILT MECHANISM INSTALLATION

- 1 Place the CHAIR BASE upside-down on a soft surface and position the TILT MECHANISM in the correct direction.
- 2 Place a SPLIT WASHER and then a WASHER onto each of the 4 M8 SCREWS.
- 3 Install the TILT MECHANISM by diagonally tightening the screws into the CHAIR BASE with the ALLEN KEY.
- 4 Place plastic LEVER COVERS onto metal handles, align and push evenly into place.



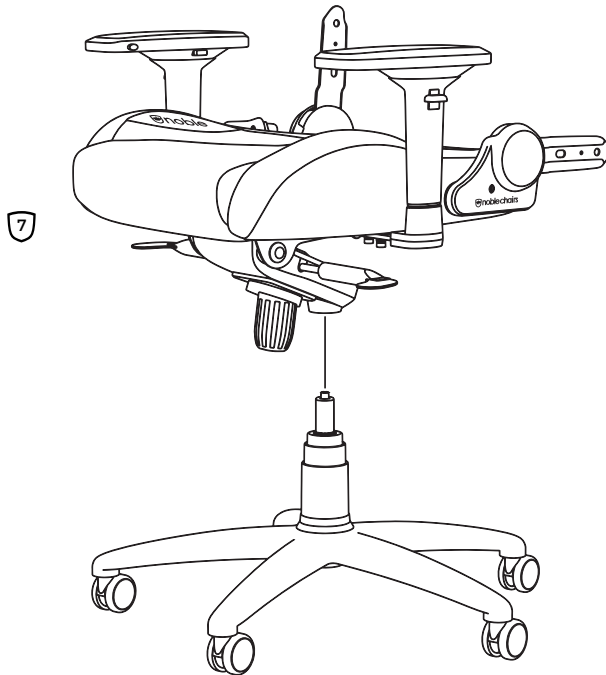
## WHEELBASE INSTALLATION

- 5 Insert the 5 CASTERS into the WHEEL BASE. Push firmly to lock them into place.
- 6 Position the HYDRAULICS into the WHEEL BASE and place the HYDRAULIC SLEEVE over it.

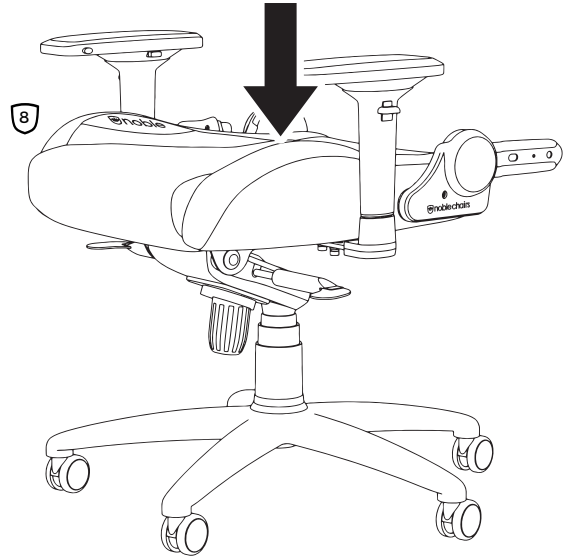


## CHAIRBASE INSTALLATION

- 7 Align the top of the HYDRAULICS into the bottom of the TILT MECHANISM.

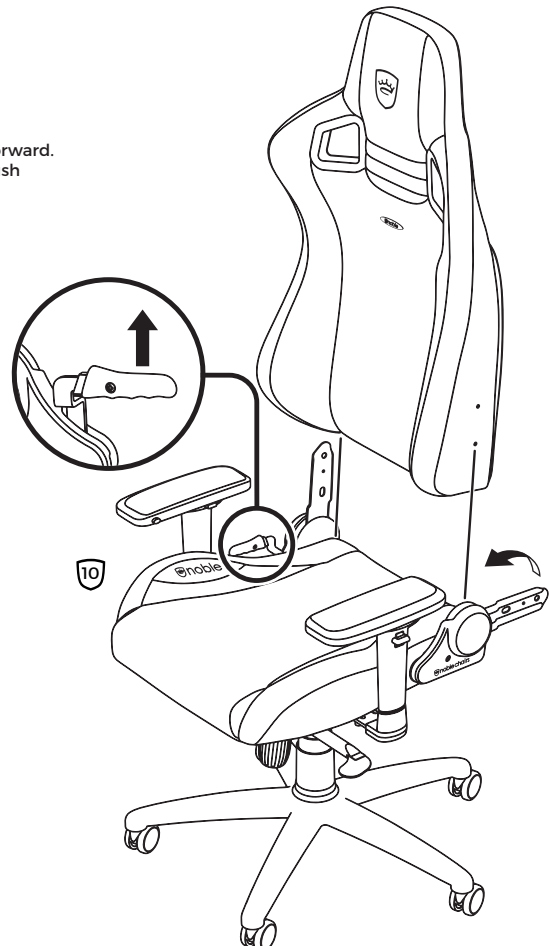
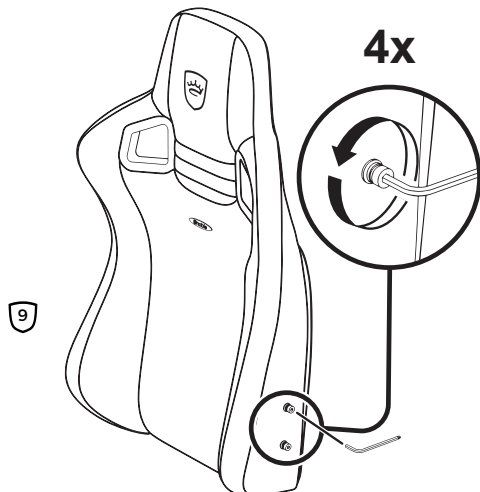
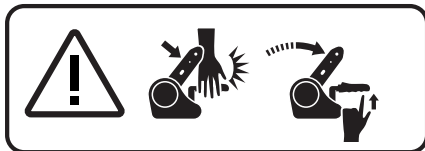


- 8 Push and sit down to lock it into place.



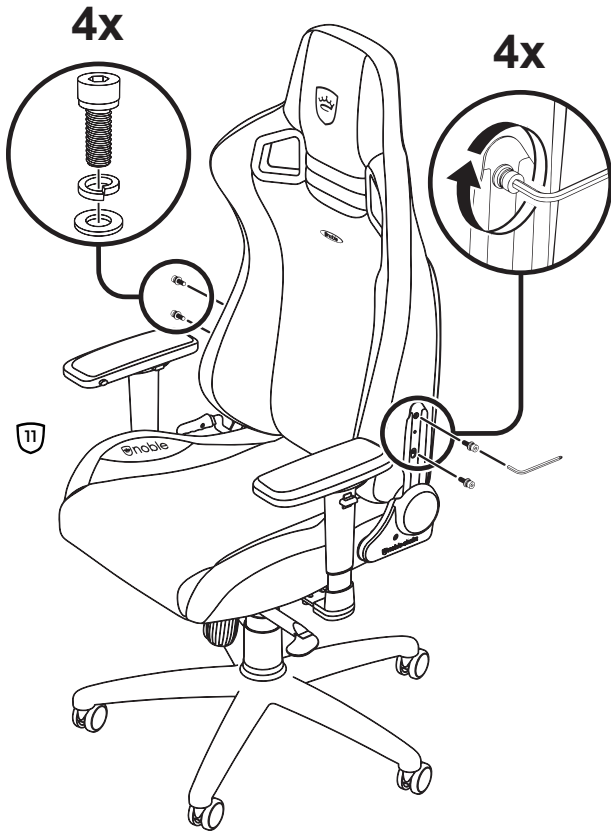
## BACKREST INSTALLATION

- 9 Using the ALLEN KEY, unscrew the 4 M8 (30mm) pre-mounted screws and washers on the side of the backrest.
- 10 Pull the lever up from the bottom so the mounting bracket snaps forward. Keep your hands clear of the bracket because it can cause injury. Push back the mounting bracket to a 90° angle for easier mounting.

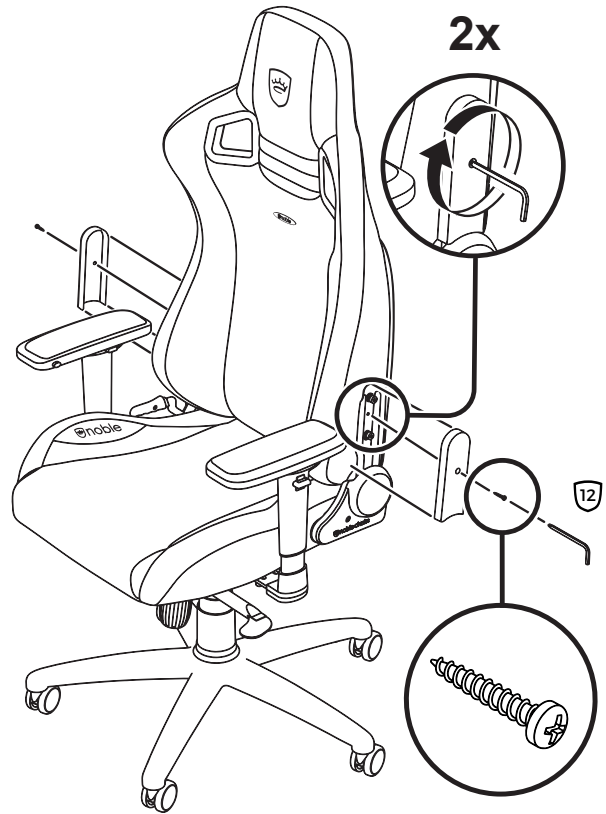


## BACKREST INSTALLATION

11 Starting with the right side, attach the backrest to the metal brackets with the 4 M8 (30mm) screws using the ALLEN KEY.



12 While firmly pushing SIDE COVERS into place, use the ALLEN KEY to secure the SIDE COVERS with the 2 PHILIPS HEAD SCREWS.

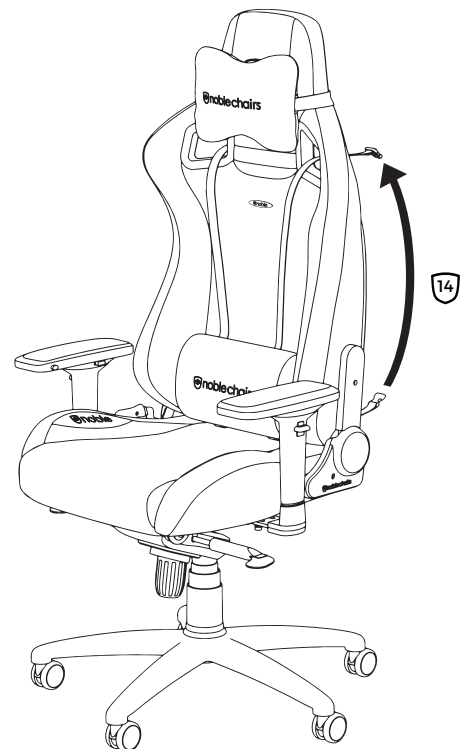


## PILLOWS

13 Attach the NECK PILLOW by sliding its elastic band around the headrest of the chair.



14 Attach the LUMBAR PILLOW by placing it at the base of the chair. Feed its two elastic bands through the back of the chair while feeding the other two elastic suspenders over the shoulders of the chair. Snap to lock into place.

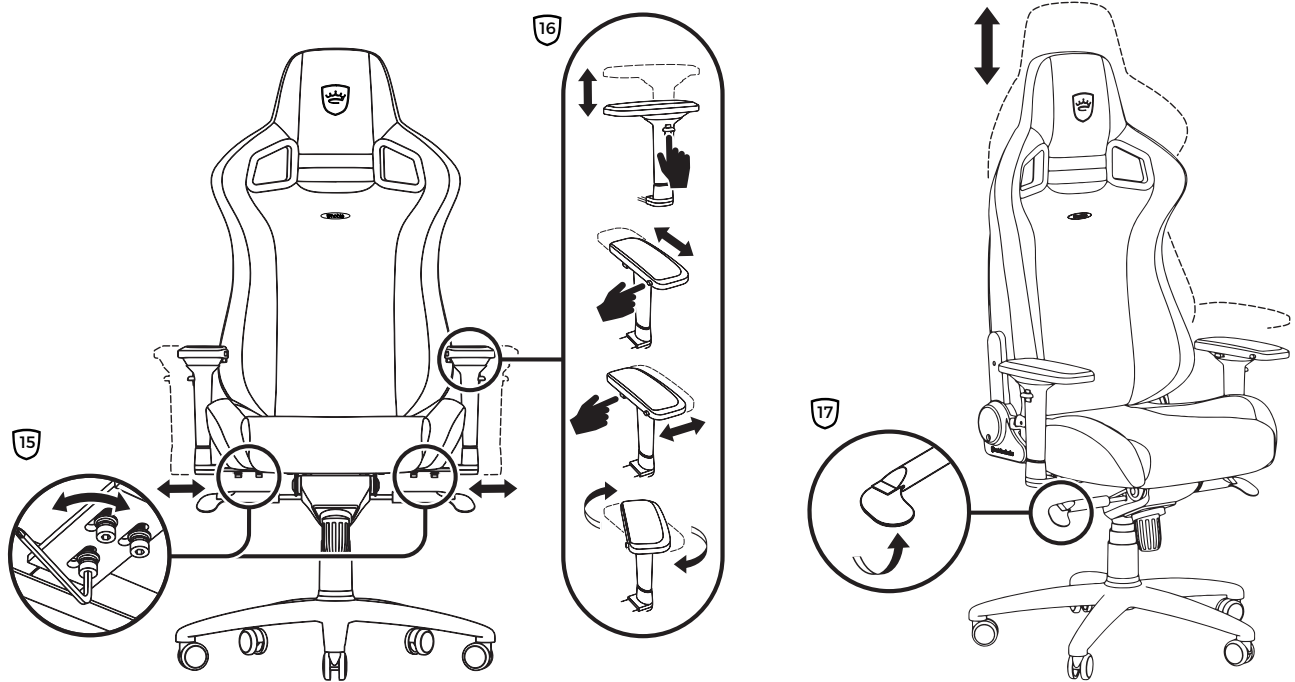


## 4D ARMREST ADJUSTMENTS

- 15 Ensure that the armrests are balanced to your liking. If not, adjust by loosening and tightening the screws with the ALLEN KEY.

- 16 Use the appropriate function to adjust the armrests.

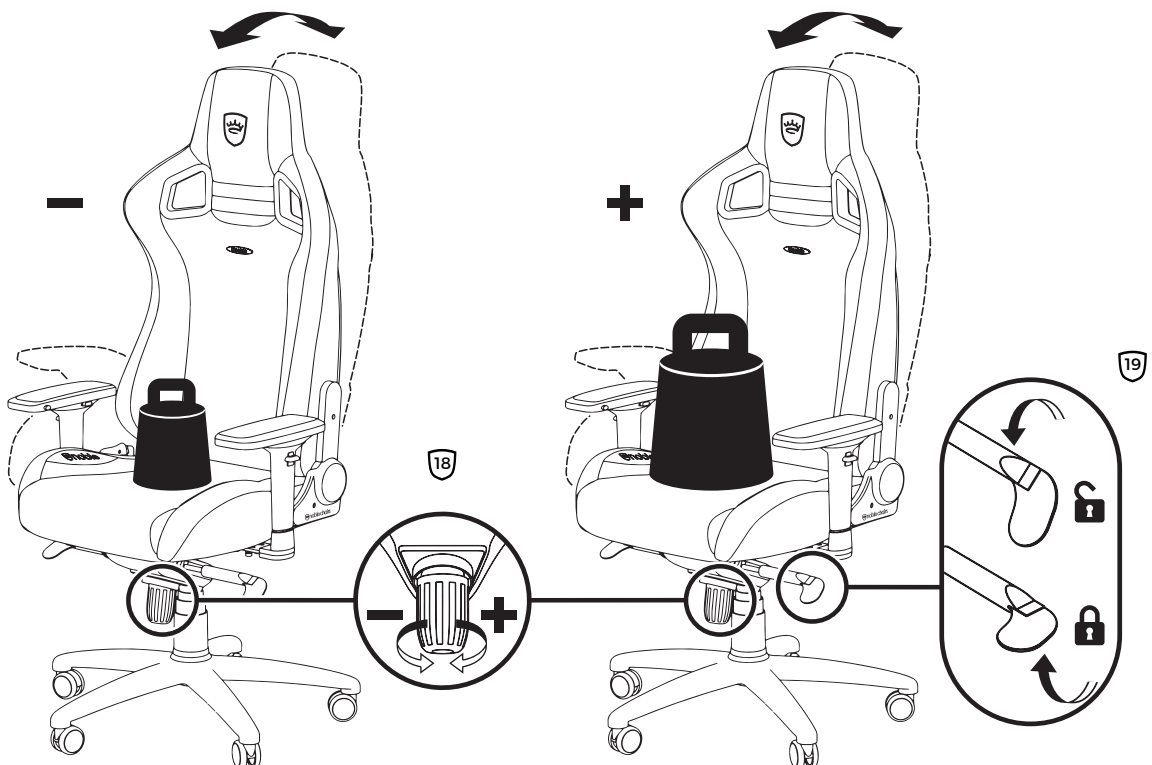
- 17 Use the right lever to adjust the chair's height.




## TILT ADJUSTMENT

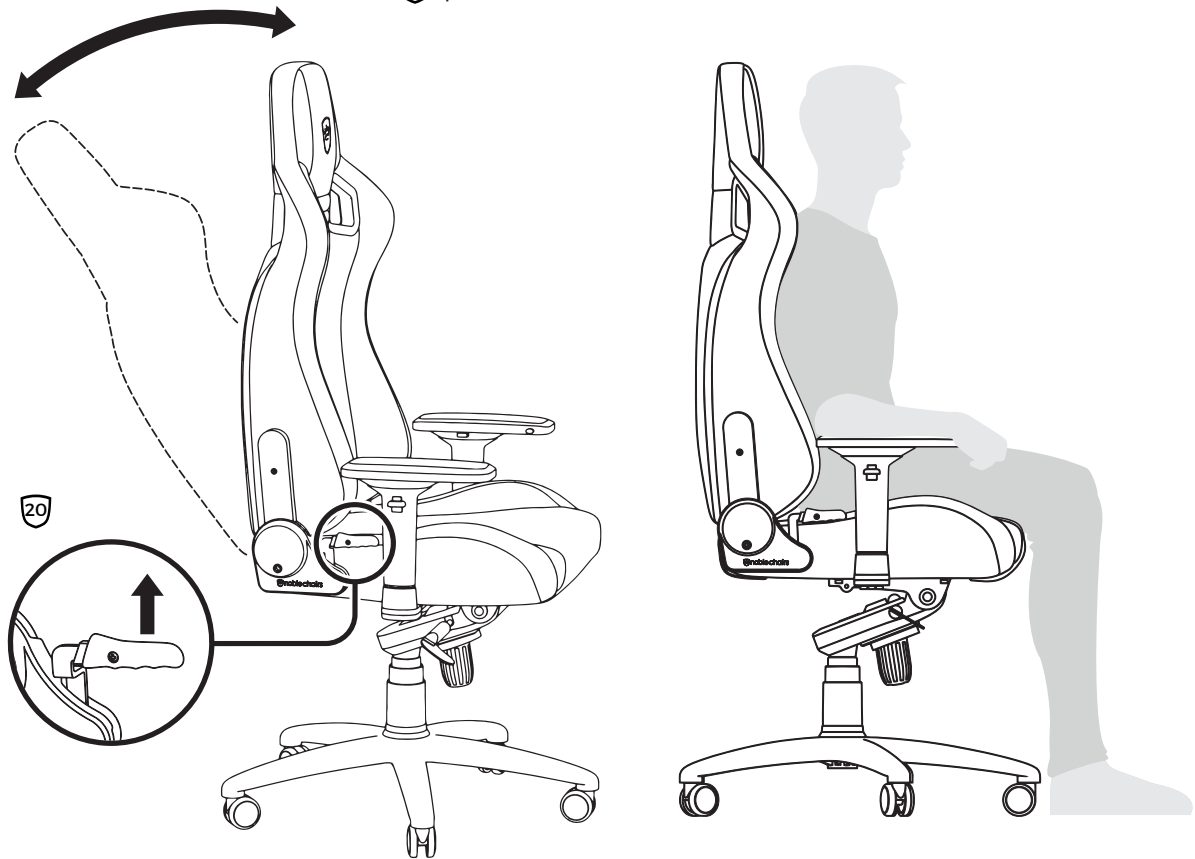
- 18 Turn the cylinder knob under the chair clockwise to tighten the seat's rockability and counterclockwise to loosen it. Adjust according to your own weight.

- 19 Use the left lever to lock/unlock the tilt mechanism.



## SEATING ADJUSTMENT

 Pull up on the lever and slowly lean back until the preferred position is achieved.



### Care Instructions

Keep noblechairs tidy by vacuuming its seams with a crevice tool.  
Dust regularly using a clean, lint-free, slightly damp soft cloth and wipe the area clean.  
Avoid direct sunlight and keep noblechairs away from heat sources to protect its leather.  
Clean spills quickly. Blot away with a clean cloth, but do not rub.  
Clean the casters by wiping off dirt with a scrub brush. Vacuum out dust caught inside of the wheels.  
For further cleaning, pull off the wheels and wipe them down with a surface cleaner and a clean rag.  
Push firmly to lock them back into place.

### Safety Information

The maximum recommended user weight of the EPIC Series is up to 120kg or 264.5 pounds. Don't use noblechairs in an abusive manner. noblechairs is not liable for any damages resulting from improper assembly and usage.



### Return/Exchange Policy

The original packaging can be conveniently reused for a noblechairs return or exchange. noblechairs accepts returns that are properly packaged.

