



Assembly Demonstration

Gamdias Multifunction PC Gaming Chair



ZELUS | E1  
Multifunction PC Gaming Chair

## Package Contents



Tool

**A** x4

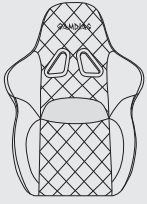
Base Support Bolts

**B** x12

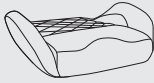
Seat Back & Angle Adjuster Bolts

**C** x6

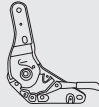
Black Screws for R/L Plastic Cover



Seat Back



Seat



Angle Adjuster (R)



Connector (L)



Head Pillow

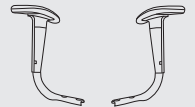


Lumbar Support Pillow

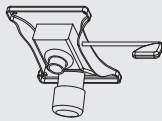


x5

Casters



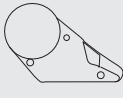
Armrest



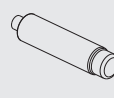
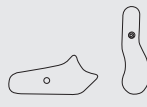
Mechanism Base Support



Plastic Cover (R)



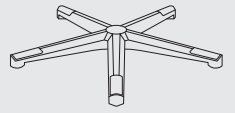
Plastic Cover (L)



Gas Lift

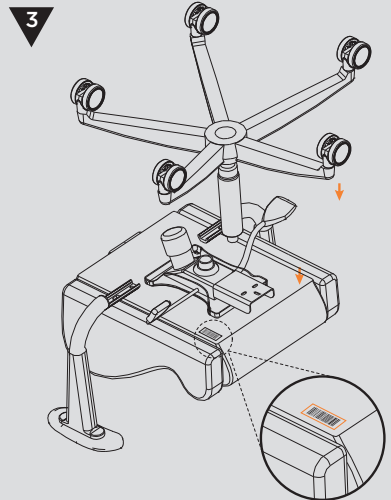
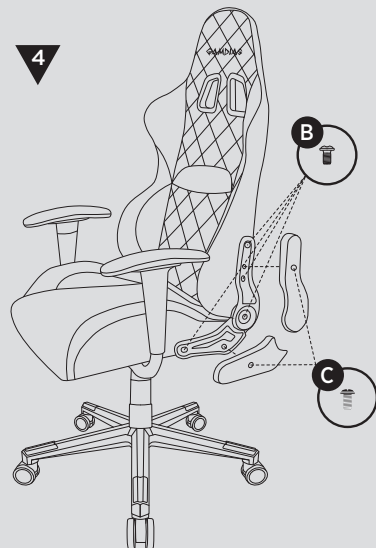
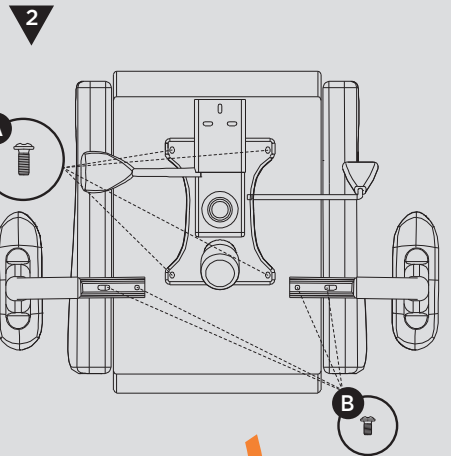
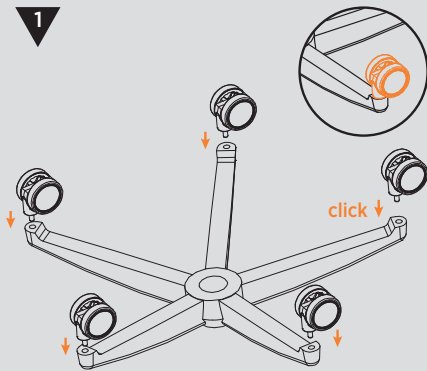


Plastic Cover



5 Star Base

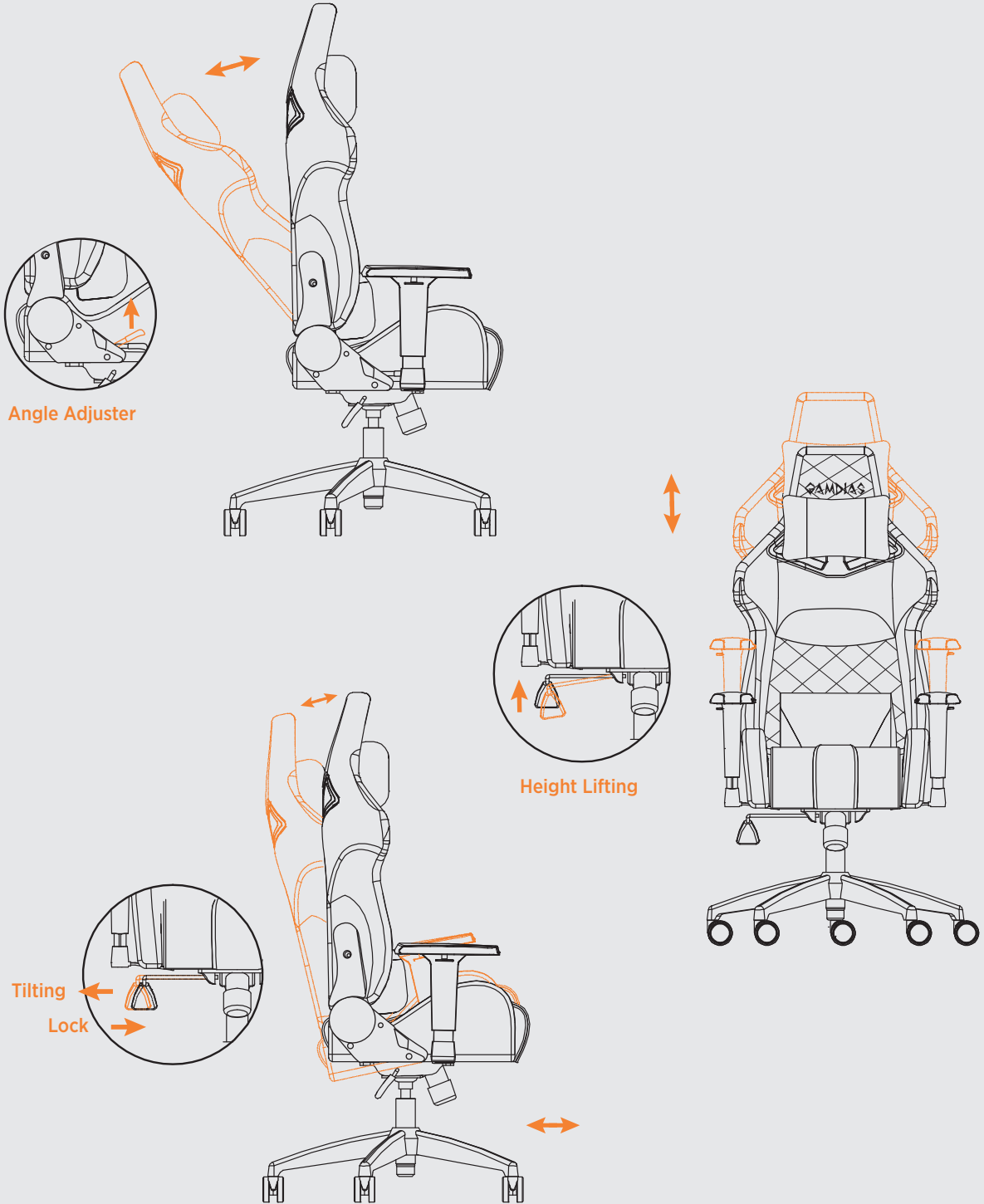
## Assembly Instruction



serial number

Please keep the **serial number** of your chair for service use when contacting us at [gdservice@gamdias.com](mailto:gdservice@gamdias.com)

# FEATURE DEMONSTRATION



**GAMDIAS Technology Co., Ltd.** [www.GAMDIAS.com](http://www.GAMDIAS.com)  
7F, No.113, Jian 2nd Rd., Jhonghe Dist., New Taipei City 23585, Taiwan (R.O.C.)

© 2018 GAMDIAS Technology Co., Ltd. All rights reserved. All GAMDIAS trademarks and logos are registered trademarks of GAMDIAS Technology Co., Ltd. All other trademarks and logos presented in this material are the property of their respective owners. GAMDIAS Technology Co., Ltd. reserves the right to revise the specifications mentioned on this packaging.