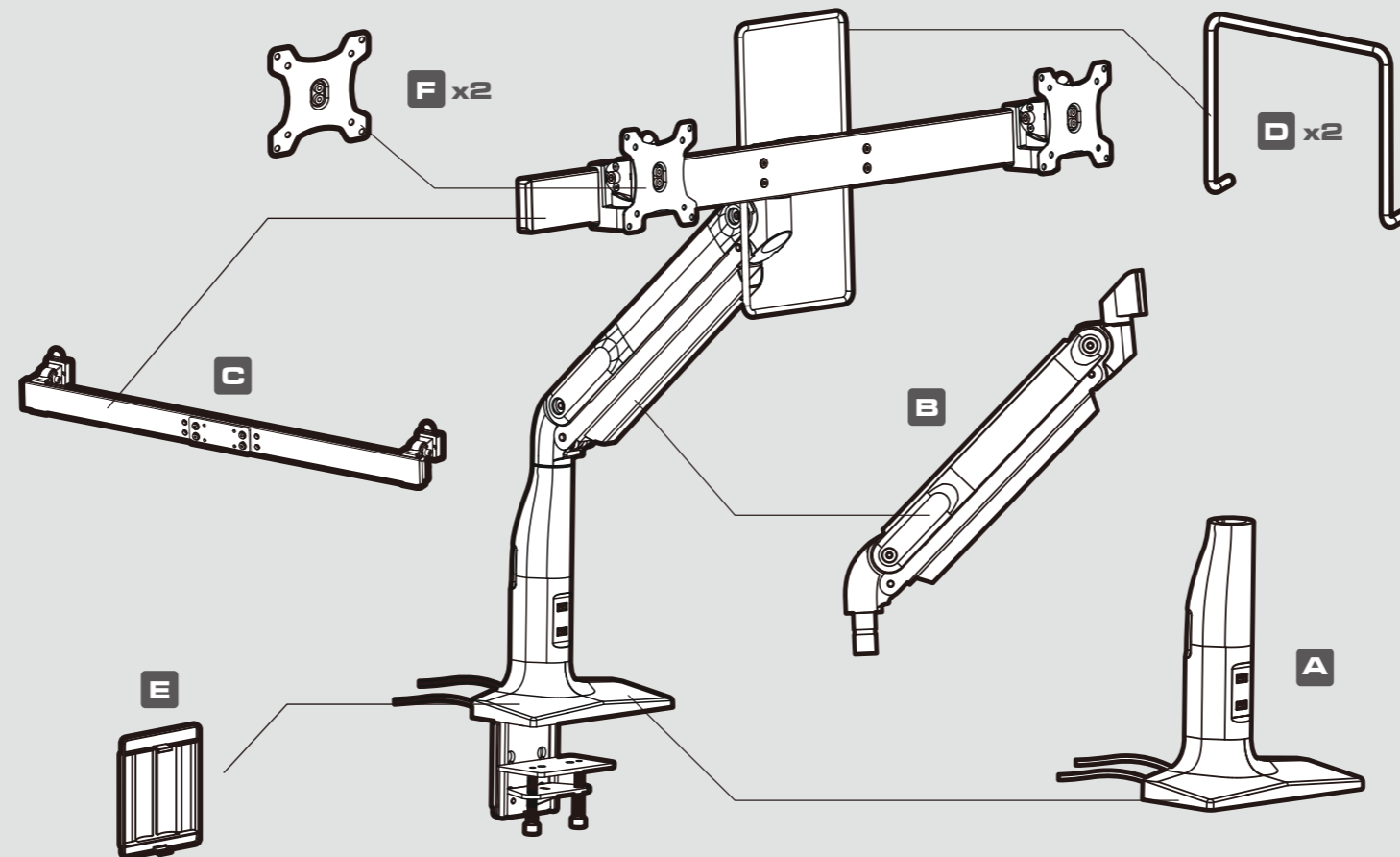




# DUO35

## DUAL-MONITOR ARM

### ASSEMBLY DRAWING



The installation process requires a "cross screwdriver" and "power drill" for hole type which are not included in the package. Please have them prepared while installation.

### ACCESSORY KIT

Bag 1	1-A	x1	Bag 3	3-E	x1
	1-B	x1		3-F	x2
Bag 2	2-C	x1	Bag 4	3-G	x2
	2-D	x2		4-H	x1
Screw Bag	M-A	x8	M-E	x2	
	M-B	x8	M-F	x4	
	M-C	x8	M-G	x4	
	M-D	x2	M-H	x4	

### FEATURES

- ENGLISH**
- Dual-monitor Arm for Diverse Scenarios
  - Supported Two Monitors: Up to 35 Inches Each
  - Supported Weight: Up to 20KG
  - Durable Gas Spring Lifting Axis
  - Full Sturdy Aluminum Alloy Crane for Extreme Reliability
  - Dual-side Handles for Easy movement
  - Two USB Type-A 3.0 Extension Hubs
  - Covers for Hiding Clutter Cable
  - Installation Options: Clip or Hole
  - Supported Max. Desk Thickness: 84mm
  - Universal VESA Plates

- FRANÇAIS**
- Bras à double écran pour divers scénarios
  - Prise en charge de deux moniteurs : jusqu'à 35 pouces chacun
  - Poids pris en charge : jusqu'à 20 KG
  - Axe de levage à ressort à gaz durable
  - Grue en alliage d'aluminium entièrement robuste pour une fiabilité extrême
  - Poignées double face pour un déplacement facile
  - Deux concentrateurs d'extension USB Type-A 3.0
  - Couvertures pour cacher l'encombrement du câble
  - Options d'installation : clip ou trou
  - Max pris en charge. Épaisseur du bureau : 84 mm
  - Plaques VESA universelles

- DEUTSCH**
- Dual-Monitor-Arm für verschiedene Szenarien
  - Unterstützt zwei Monitore: jeweils bis zu 35 Zoll
  - Unterstütztes Gewicht: Bis zu 20 kg
  - Langlebige Hubachse mit Gasfeder
  - Kran aus robuster Aluminiumlegierung für extreme Zuverlässigkeit
  - Beidseitige Griffe für einfaches Bewegen
  - Zwei USB-Type-A-3.0-Erweiterungs-Hubs
  - Abdeckungen zum Verstecken von Kabelsalat
  - Installationsoptionen: Clip oder Loch
  - Unterstützte max. Schreibtischstärke: 84 mm
  - Universelle VESA-Platten

- 한국어**
- 다양한 시나리오를 위한 듀얼 모니터 암
  - 35인치 모니터 2대 지원
  - 지원되는 최대 중량 : 20KG
  - 내구성이 뛰어난 가스 스프링 리프팅 축
  - 매우 신축할 수 있는 견고한 알루미늄 합금 크레인
  - 손쉬운 이동을 위한 양면 핸들
  - USB Type-A 3.0 확장 허브 2개
  - 클러터 케이블 정리용 커버
  - 양방향 설치: 클립 또는 구멍
  - 지원되는 최대 책상 두께: 84mm
  - 범용 VESA 플레이트

- 簡中**
- 双屏显示器架，适用于各种应用场景
  - 支持两台35英寸显示器
  - 最大承重高达20公斤
  - 配备气弹簧升降轴，更持久耐用
  - 全铝合金支架，坚固又可靠
  - 两侧附把手，移动更便利
  - 具备两个 USB Type-A 3.0 扩充接口
  - 线材收纳设计
  - 两种底座安装方式：夹桌式或钻孔锁
  - 支持最高 84mm 桌面厚度
  - 通用的 VESA 标准安装界面

- PORTUGUÊS**
- Braço de monitor duplo para diversos cenários
  - Dois monitores suportados: até 35 polegadas cada
  - Peso suportado: até 20 kg
  - Eixo de elevação de mola a gás durável
  - Guindaste de liga de alumínio totalmente robusto para extrema confiabilidade
  - Alças de lado duplo para fácil movimentação
  - Dois hubs de extensão USB tipo A 3.0
  - Coberturas para ocultar o cabo de desordem
  - Opções de instalação: clipe ou furo
  - Suportado máx. Espessura da mesa: 84mm
  - Placas Universais VESA

- ESPAÑOL**
- Brazo de dos monitores para diversos escenarios
  - Admite dos monitores: hasta 35 pulgadas cada uno
  - Peso soportado: Hasta 20KG
  - Eje de elevación de resorte de gas duradero
  - Grúa de aleación de aluminio totalmente resistente para una fiabilidad extrema
  - Asas de doble cara para facilitar el movimiento.
  - Dos concentradores de extensión USB tipo A 3.0
  - Cubiertas para ocultar cables desordenados
  - Opciones de instalación: clip o agujero
  - Máx. admitido Grosor del escritorio: 84 mm
  - Placas VESA universales

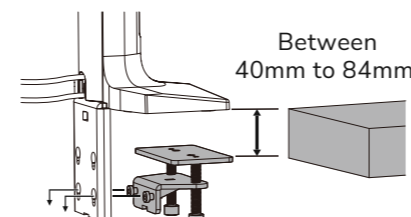
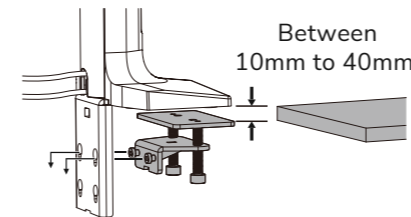
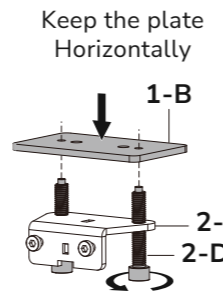
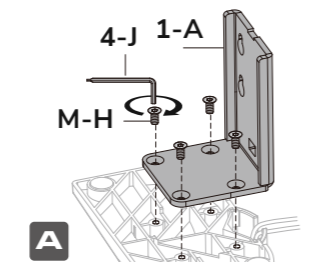
- РУССКИЙ**
- Кронштейн с двумя мониторами для различных сценариев
  - Поддерживается два монитора: до 35 дюймов каждый
  - Поддерживаемый вес: до 20 кг
  - Прочная подъемная ось с газовой пружиной
  - Полностью прочный сплав из алюминиевого сплава для максимальной надежности
  - Боковые ручки для легкого перемещения
  - Два концентратора расширения USB Type-A 3.0
  - Чехлы для скрытия интерференционного кабеля
  - Варианты установки: зажим или отверстие
  - Поддерживается макс. Толщина стола: 84 мм
  - Универсальные пластины VESA

- 日本語**
- デュアルモニターアームで生産性アップ
  - 最大二台の35インチのモニターを取り付けられます
  - 20kgまでサポートします
  - ガススプリング式モニターアームで耐久性が高いです
  - 頑丈なアルミニウム合金クレーンで安定性が向上します
  - 両サイドのハンドルで簡単に移動できます
  - 2つのUSBType-A3.0拡張ハブ
  - スタンドにケーブルを収納するところがあり配線を整えることができます
  - クランプ式とドリム式の設置方法に対応
  - デスクの厚さは84mmまで対応しています
  - VESA規格に対応しています

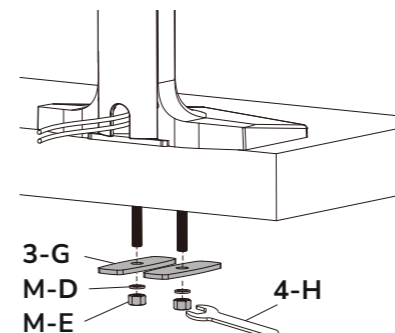
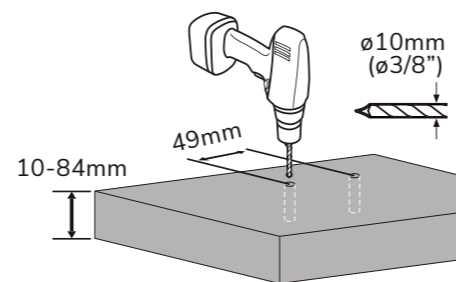
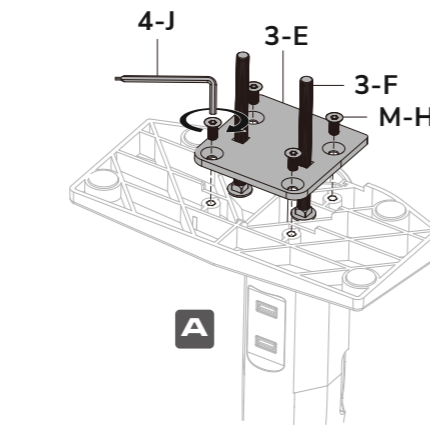
- 繁中**
- 雙螢幕支架，適用於各種應用情境
  - 支援兩台35吋螢幕
  - 最大承重高達20公斤
  - 配備氣彈簧升降軸，更持久耐用
  - 全鋁合金製支架，堅固又可靠
  - 兩側附帶把手，移動更便利
  - 具備兩個 USB Type-A 3.0 擴充接口
  - 線材收納設計
  - 兩種底座安裝方式：夾桌式或鑽孔鎖
  - 支援最高 84mm 桌面厚度
  - 通用的 VESA 標準安裝介面

### ASSEMBLING INSTRUCTION

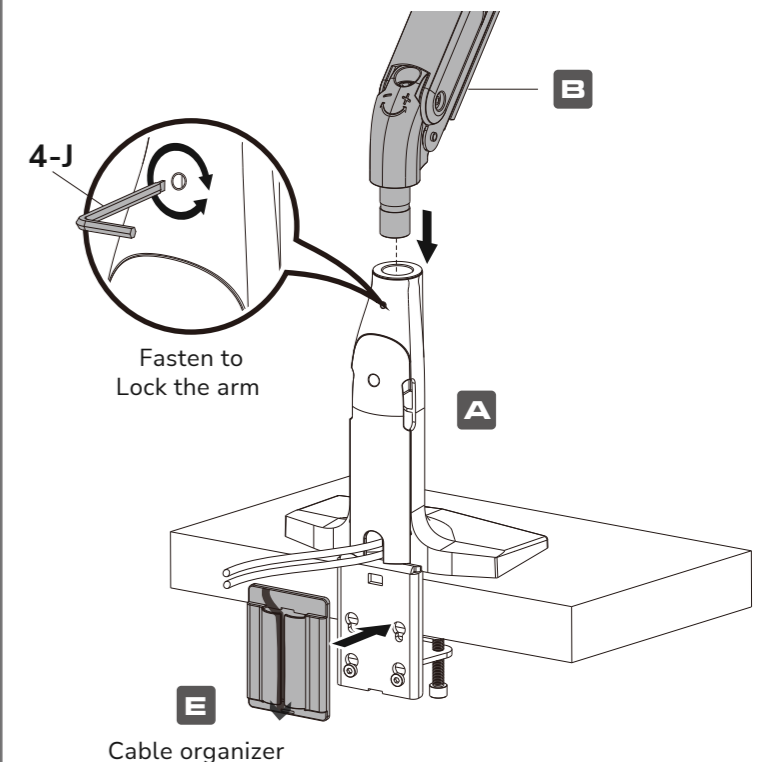
#### 1 CLIP TYPE



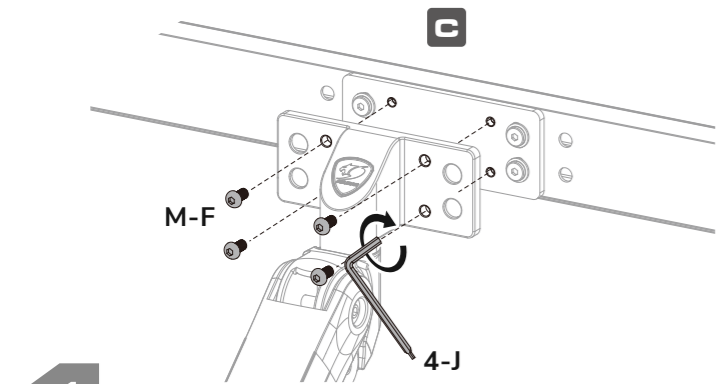
#### HOLE TYPE



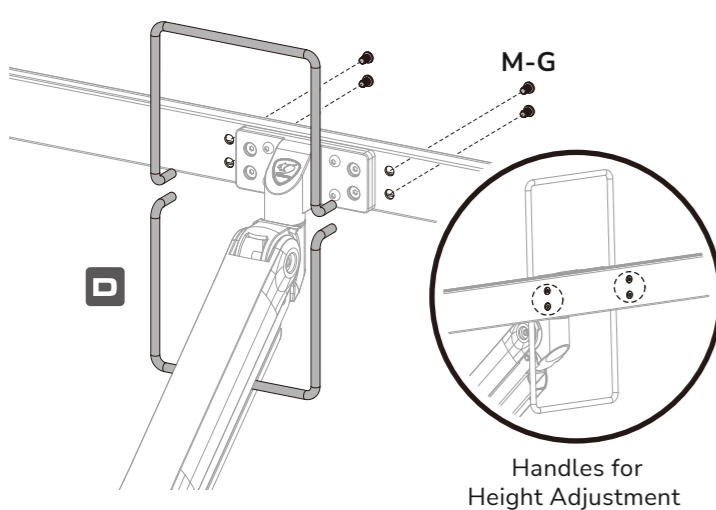
#### 2



# 3

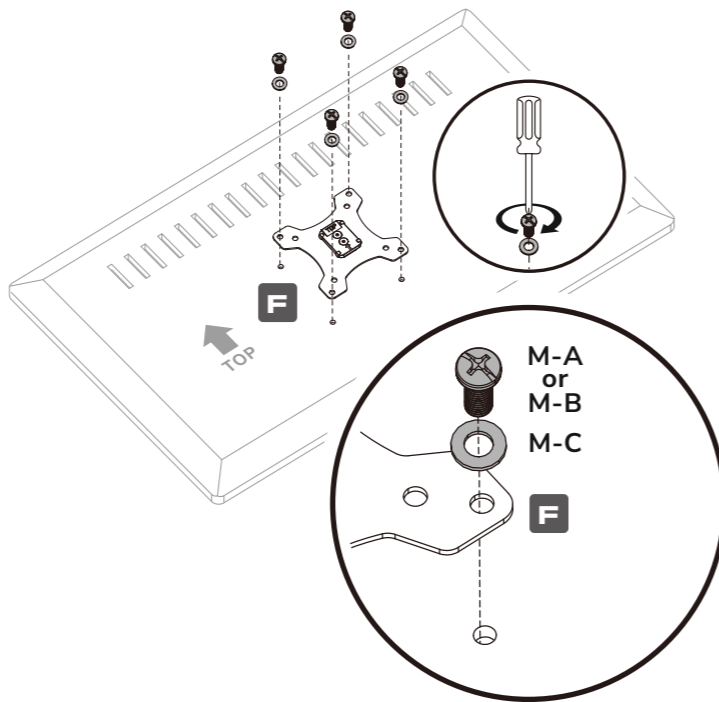


# 4

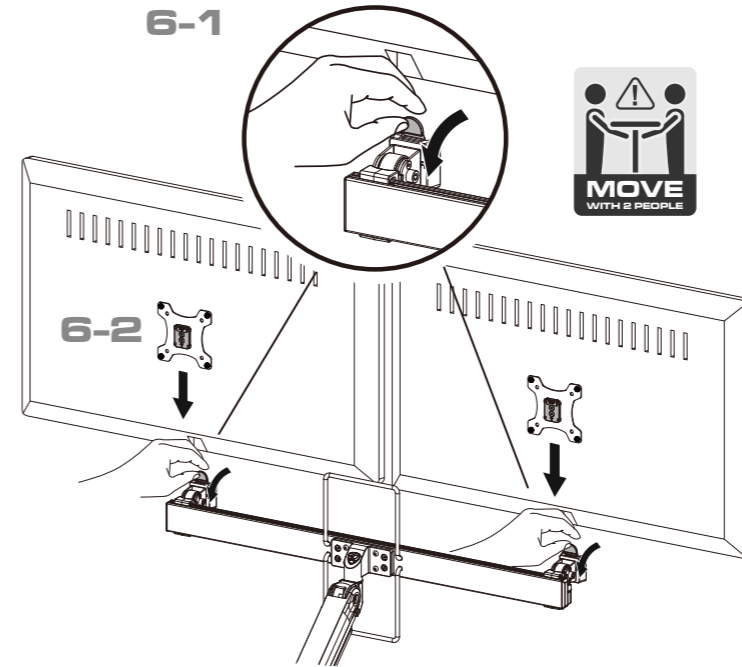


Handles for Height Adjustment

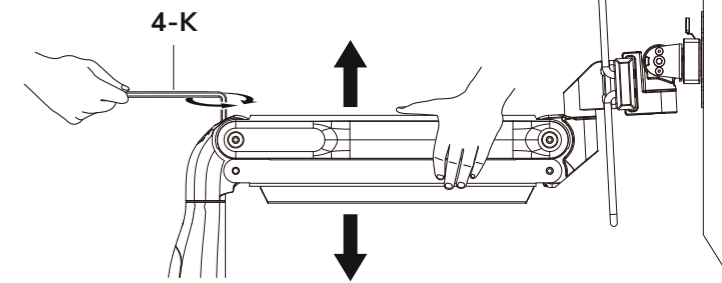
# 5



# 6

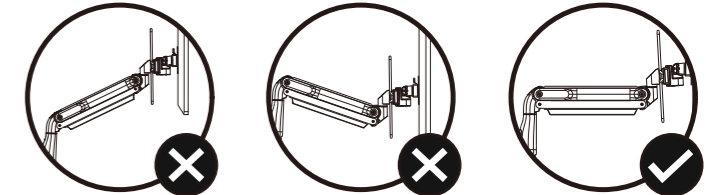


# 7

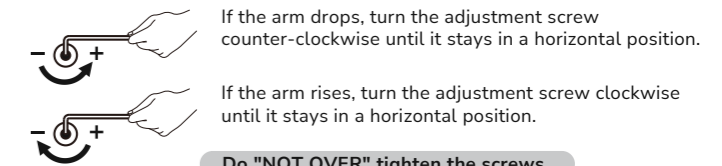


To properly balance the arm with monitors mounted, adjust the spring tension using the supplied Allen Key as follow:

First, position and firmly hold the arm horizontally as shown. Ask for assistance should you require it.

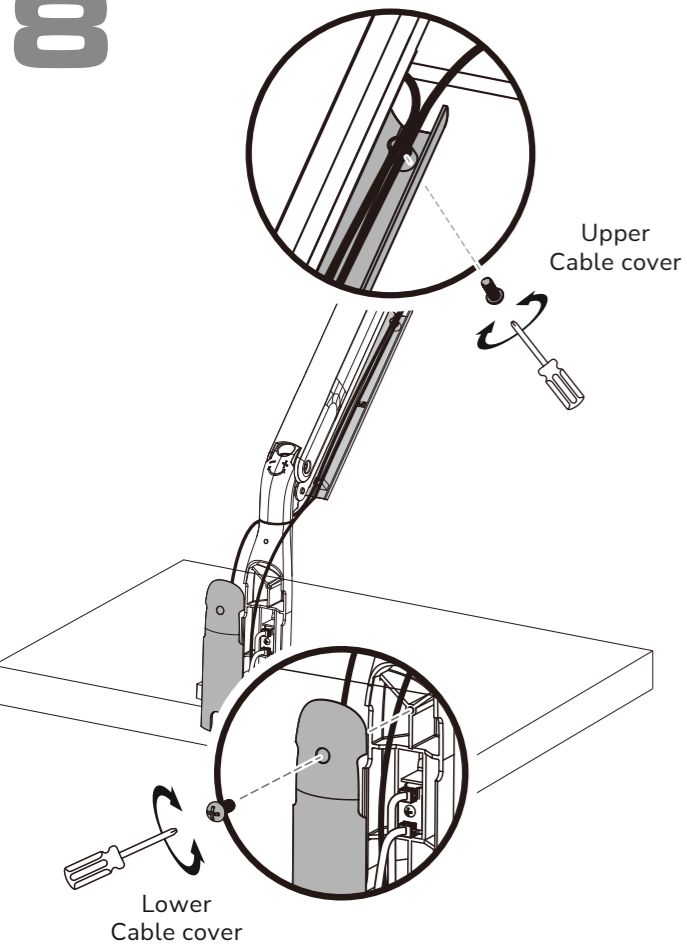


**CAUTION** To avoid damage to monitors or mount, always keep the arm in a horizontal position while making adjustments. Again, ask for assistance if required.



Do "NOT OVER" tighten the screws.

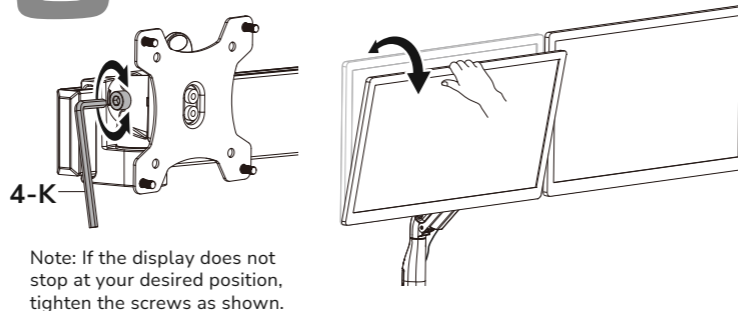
# 8



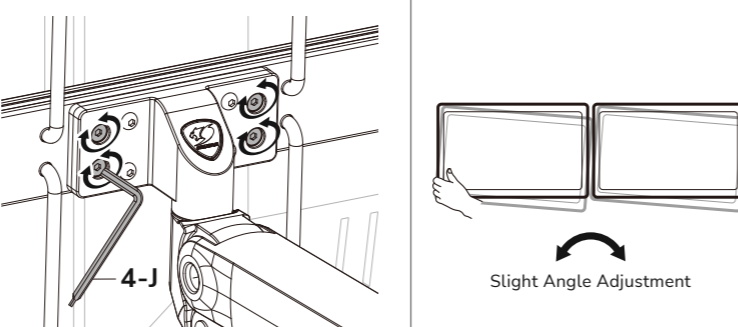
Upper Cable cover

Lower Cable cover

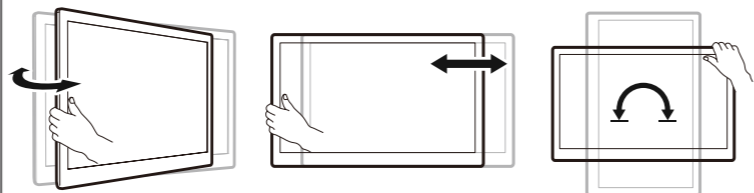
# 9



Note: If the display does not stop at your desired position, tighten the screws as shown.



Slight Angle Adjustment



Tilted Adjustment Horizontal Position Adjustment Vertical Position Adjustment

## GLOBAL WARRANTY POLICY

### WARRANTY PERIODS OF COUGAR GAMING DEVICES

Product : COUGAR DUO35 MONITOR ARM  
Warranty : 3 Year  
This warranty gives you specific legal rights. You may also have other rights granted under local law. These rights may vary.

### WARRANTY AGREEMENT

- If the product has defects in material or manufacture, COUGAR will provide product repair and replacement service within the warranty period.
- Our warranty service is based on the date of the invoice or warranty card.

### CONDITIONS WHERE FREE MAINTENANCE IS NOT PROVIDED

- Any fault or damage caused by natural disasters (including storm, fire, flood, thunder, earthquake, etc).
- Any fault or damage caused by accidental factors and man-made reasons (including hit, scrape, crash, moving, compression, stain, corrosion, riot, misuse, malicious damage, etc).
- Use in an improper operating environment (including high temperature, high humidity, water inflow, etc).
- Inability to provide the product warranty card, purchase receipt or invoice to prove the product is still within the warranty period and the shipping date of the product is out of warranty.
- The warranty card has been altered or its number is hard to identify.
- The warranty period has expired.
- Any fault or damage caused by non-compliance with regulations stated on the user manual or improper, rough and careless treatment.
- Any fault or damage caused by use of parts not certified by COUGAR original manufacturer.
- The problem is caused by improper repair or adjustment by the buyer or any manufacturer without authorization from COUGAR.
- The product is not acquired from an authorized distributor of the company or is acquired from illicit sources.
- Paper carton, instruction and other accessories are not warranted.

### DISCLAIMERS

- COUGAR products should not be used as critical components in life support devices.
- COUGAR is not liable for any damage of life and limb or damage or loss of property caused by or during COUGAR products' use as or with medical equipment, military equipment, traffic equipment and disaster prevention systems.
- COUGAR's warranty liability is limited to repair or replacement. The decision on whether to repair or replace belongs exclusively to COUGAR.
- COUGAR is, to the extent not prohibited by law, not liable for any damages; expenses; lost data, revenues, savings or profits; or any incidental or consequential damages happened while the use of a defective product from COUGAR or due to its use.

### LEGAL NOTICES

This manual was created by Compucase Enterprise and may not be completely or partially copied, passed on, distributed or stored without written consent by Compucase Enterprise. COUGAR® is a registered brand of Compucase Enterprise Other product and company names mentioned in this documentation may be brands or trademarks of their respective owners. Compucase Enterprise reserves the right to make changes concerning the contents of the manual and the technical data of the product without previous announcement.

### MANUFACTURER CONTACT

Compucase Enterprise Co.,Ltd.  
No. 225, Lane 54, An Ho Road Sec. 2 Tainan, Taiwan  
Tel:+886-6-356-0606

COUGAR USA Technical Service  
Tel: (833) 256-3778  
Mail: rma@compucaseusa.com

Service email : <https://cougargaming.com/support/contact/upload/>  
Compucase Enterprise Co.,Ltd. All rights reserved. Made in China

### ДАТА ИЗГОТОВЛЕНИЯ ПРОДУКЦИИ

год и месяц изготовления продукции указаны в серийном номере продукта. (существует 2 способа определения даты изготовления, оба способа описаны ниже)

- После S/N: первые две цифры означают год, вторые две – месяц изготовления. Например, S/N: H1702000001 означает, что товар был произведен в феврале 2017 года.
- После S/N: если указаны буквы, то две буквы представляют цифры из таблицы ниже, и означают год, последующие две цифры – месяц изготовления. Например, S/N: DAG02REV1000001 означает, что товар был произведен в феврале 2017 года.

A	B	C	D	E	F	G	H	I	J
1	2	3	4	5	6	7	8	9	0

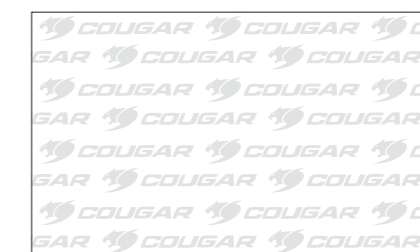
• Например, AG = 17 = 2017 год



### WARNING

- To adjust the Arm height, gently pull the screws. Do not use excessive force to assemble the parts.
- Please wear protective gloves when assembling the Arm. It is your own responsibility to use appropriate protection to prevent any physical damage.
- Do not make fast or violent movements.
- Do not make fast or violent movements.
- (when the Arm is in movement) do not touch any of the Arm's adjustment controls to prevent affecting its stability and causing a potentially dangerous fall.
- (when reclining the chair to its full extent) set the related control level in lock position and keep both feet on the ground, as well as abstain from any violent, rough or strong movement which could cause the chair to tip over.
- Keep in mind that this chair is designed only for sitting and reclining, and that it should be used only for those uses. Do not sit on the edge of the chair or the arm rests.
- Do not place the chair in a location in which it is likely to be subjected to prolonged sunlight exposure. The product's colors might fade when exposed to sunlight.
- Do not use abrasive products or scrub energetically when cleaning. Please stick to gentle products suitable for delicate materials.
- All parts should be checked monthly to confirm their integrity and to make sure that the screws are not loose.
- If any part of the product is or appears to be damaged, missing or loose, please contact the local distributor and do not use the product.

### DISTRIBUTOR



[www.cougargaming.com](http://www.cougargaming.com)  
facebook.com/cougargaming  
youtube.com/user/COUGARGLOBAL