

Heavy Duty Wall & Ceiling Projector mount (universell)

SUNNE™

PRO300M2, PRO300XL2

Feature

- 1 Loading Capacity 35 KG for any projectors
- 2 Integrated Cable management
- 3 Stable joint ball with multi-angle views
- 4 Adjustable height
- 5 Holder can be removed separately



2

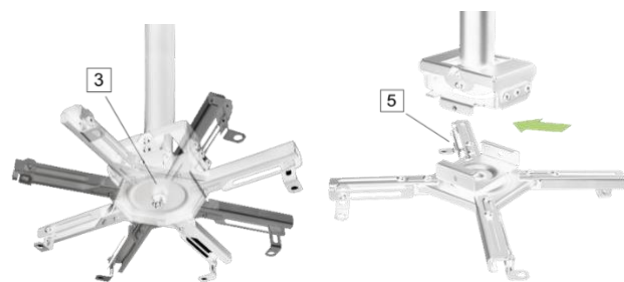
4

1



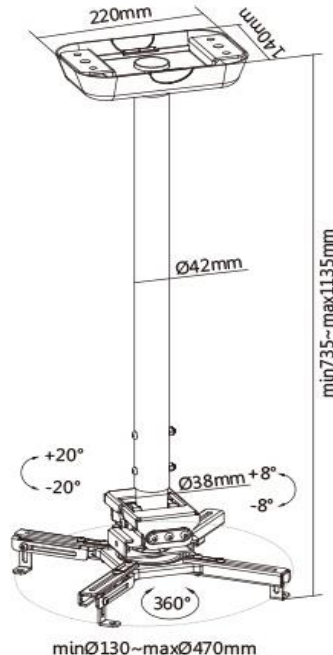
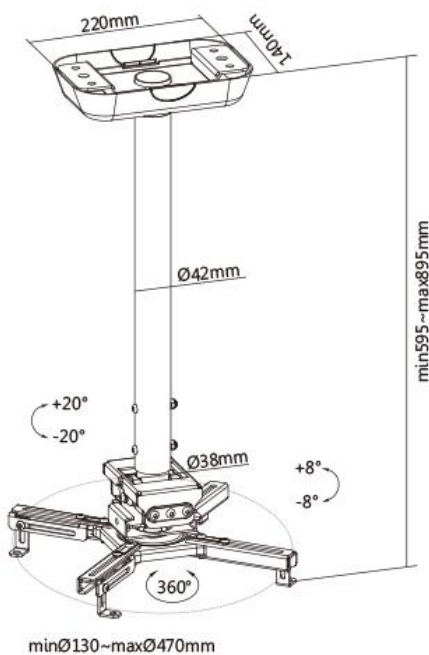
3

5



PRO300M2

PRO300XL2



PRO300M2

Steel / White
Powder coated

ceiling

max. 35 kg

130 - 470 mm

-8° ~ +8°

360°

600 - 900mm

Yes

6956745168649

PRO300XL2

Steel / White

Powder coated

ceiling

max. 35 kg

130 - 470 mm

-8° ~ +8°

360°

740 - 1140mm

Yes

6956745168632

Material / Color

Surface

Installation

Weight Capacity

Mounting Range

Tilt / Swivel

Rotate

Adjustable Length

Stud Installation / Cable Management

EAN