



**THE BEST SUPPORT  
FOR YOUR AV & IT HARDWARE**  
T: + 31(0)23-5478888 | E: info@newstar.eu | W: www.newstar.eu

## FPMA-D550DDBLACK NEWSTAR FLAT SCREEN DESK MOUNT

Newstar Full Motion Dual Desk Stand for  
two 10-32" Monitor Screens, Height  
Adjustable - Black



### SPECIFICATIONS

<b>Cable management</b>	Yes
<b>Color</b>	Black
<b>Depth</b>	4 - 40 cm
<b>Desk mount</b>	Stand
<b>Height</b>	0 - 46 cm
<b>Height adjustment</b>	Manual
<b>Max. screen size</b>	32
<b>Max. weight</b>	8
<b>Min. screen size</b>	10
<b>Min. weight</b>	0
<b>Pivot points</b>	3
<b>Rotate (degrees)</b>	360°
<b>Screens</b>	2
<b>Swivel (degrees)</b>	180°
<b>Tilt (degrees)</b>	90°
<b>Type</b>	Full motion Tilt Rotate Swivel
<b>VESA maximum</b>	100x100 mm
<b>VESA minimum</b>	75x75 mm
<b>VESA pattern</b>	100x100 75x75
<b>Warranty</b>	5 year
<b>EAN code</b>	8717371446697

The NewStar desk mount, model FPMA-D550DDBLACK is a tilt-, swivel and rotatable desk mount for 2 flat screens up to 32". This mount is a great choice for space saving placement on desks using a desk stand.

NewStar's versatile tilt (90°), rotate (360°) and swivel (180°) technology allows the mount to change to any viewing angle to fully benefit from the capabilities of the flat screen. The mount is manually height adjustable from 0 to 46 centimetres. Depth adjustable from 4 to 40 centimetres. An innovative cable management conceals and routes cables from mount to flat screen. Hide your cables to keep the workplace nice and tidy.

NewStar FPMA-D550DDBLACK has three pivot points and is suitable for screens up to 32". The weight capacity of this product is 8 kg each screen. The desk mount is suitable for screens that meet VESA hole pattern 75x75 or 100x100mm. Different hole patterns can be covered using NewStar VESA adapter plates.

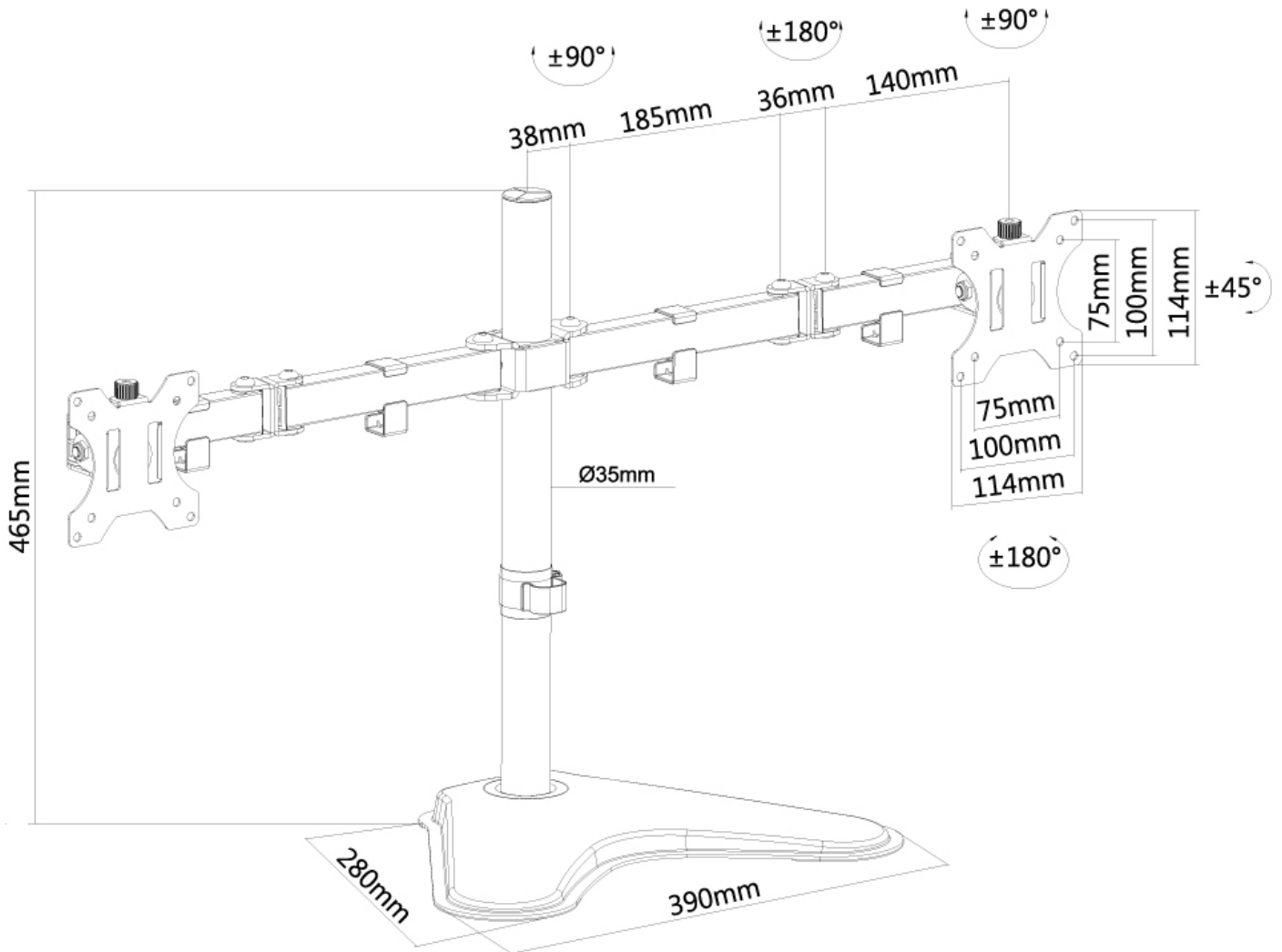
By using an ergonomic mount neck- and back complaints can be avoided. Ideal for use in offices and on counters or in a reception area.

All installation material is included with the product.



**THE BEST SUPPORT  
FOR YOUR AV & IT HARDWARE**  
T: +31(0)23-5478888 | E: info@newstar.eu | W: www.newstar.eu

## FPMA-D550DDBLACK NEWSTAR FLAT SCREEN DESK MOUNT



NewStar Products Europe B.V.  
Wateringweg 62/B  
2031 EJ HAARLEM  
THE NETHERLANDS

Phone : +31(0)23-5478888  
Fax : +31(0)23-5478889  
Email : info@newstar.nl  
Website : www.newstar.eu

NewStar cannot be held liable for any inaccuracies and copyrights.  
No part of this publication may be reproduced and/or published by print, photocopy, microfilm or in any other way, without prior written permission of NewStar Computer Products Europe BV.