



**THE BEST SUPPORT
FOR YOUR AV & IT HARDWARE**
T: + 31(0)23-5478888 | E: info@newstar.eu | W: www.newstar.eu

FPMA-D600BLACK

NEWSTAR FLAT SCREEN DESK MOUNT

Newstar Tilt/Turn/Rotate Desk Mount
(clamp) for 10-30" Monitor Screen, Height
Adjustable - Black



SPECIFICATIONS

Color	Black
Depth	27,5 - 54 cm
Desk mount	Clamp
Height	0 - 31 cm
Height adjustment	Gaspring
Max. screen size	30
Max. weight	10
Min. screen size	10
Min. weight	0
Rotate (degrees)	360°
Screens	1
Swivel (degrees)	180°
Tilt (degrees)	180°
Type	Full motion Tilt Rotate Swivel
VESA maximum	100x100 mm
VESA minimum	75x75 mm
VESA pattern	100x100 75x75
Warranty	5 year
EAN code	8717371440015

The NewStar desk mount, model FPMA-D600BLACK is a tilt-, swivel and rotatable desk mount for flat screens up to 30". This mount is a great choice for space saving placement on desks using a desk clamp.

NewStar's versatile tilt (180°), rotate (360°) and swivel (180°) technology allows the mount to change to any viewing angle to fully benefit from the capabilities of the flat screen. The mount is easily height adjustable from 0 to 31 centimetres using a mechanical spring. Depth adjustable from 27,5 to 54 centimetres. An innovative cable management conceals and routes cables from mount to flat screen. Hide your cables to keep the workplace nice and tidy.

NewStar FPMA-D600BLACK has two pivot points and is suitable for screens up to 30" (76 cm). The weight capacity of this product is 10 kg each screen. The desk mount is suitable for screens that meet VESA hole pattern 75x75 or 100x100mm. Different hole patterns can be covered using NewStar VESA adapter plates.

By using an ergonomic mount neck- and back complaints can be avoided. Ideal for use in offices and on counters or in a reception area.

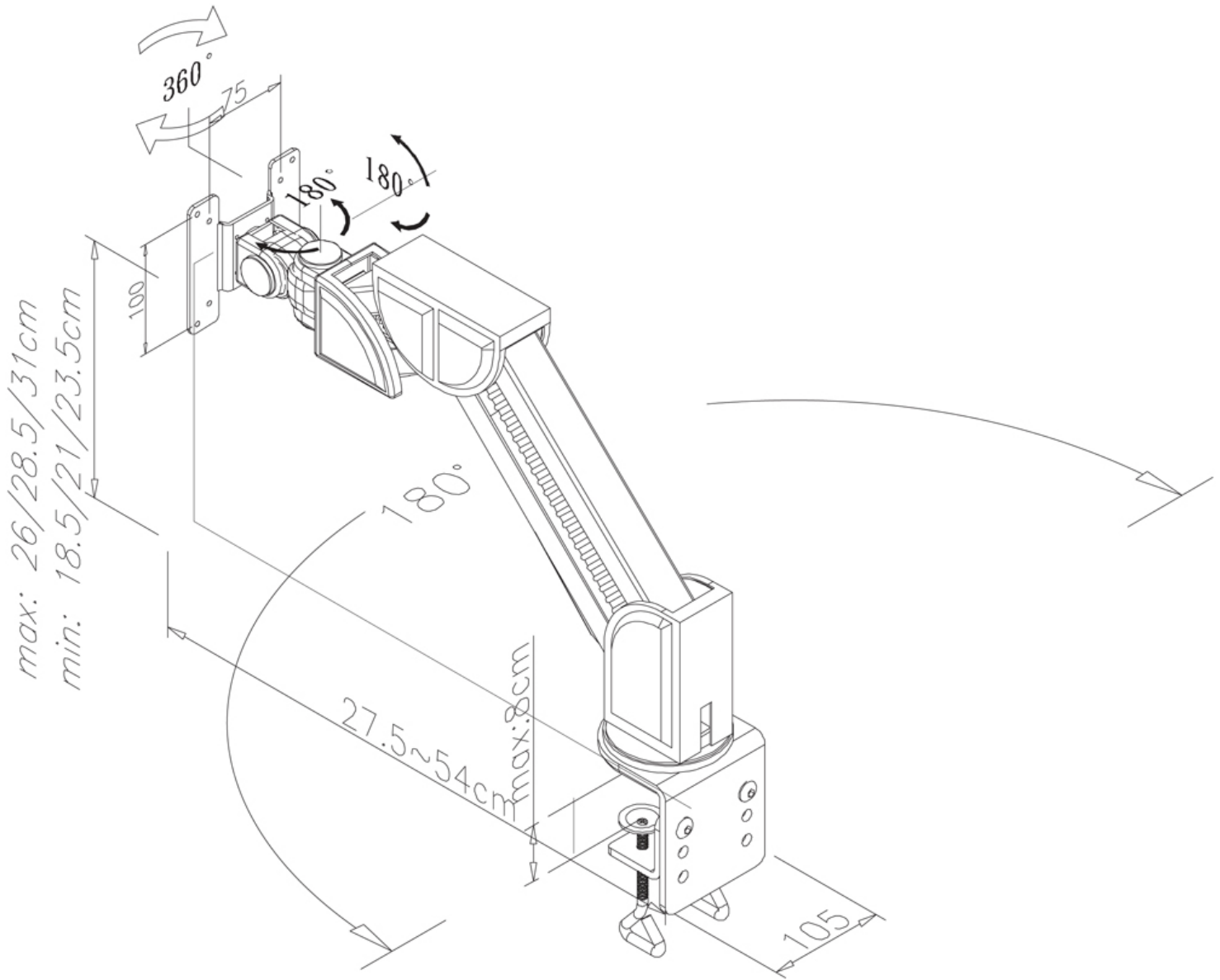
All installation material is included with the product.



**THE BEST SUPPORT
FOR YOUR AV & IT HARDWARE**
T: +31(0)23-5478888 | E: info@newstar.eu | W: www.newstar.eu

FPMA-D600BLACK

NEWSTAR FLAT SCREEN DESK MOUNT



NewStar Products Europe B.V.
Wateringweg 62/B
2031 EJ HAARLEM
THE NETHERLANDS

Phone : +31(0)23-5478888
Fax : +31(0)23-5478889
Email : info@newstar.nl
Website : www.newstar.eu

NewStar cannot be held liable for any inaccuracies and copyrights.
No part of this publication may be reproduced and/or published by print, photocopy, microfilm or in any other way, without prior written permission of NewStar Computer Products Europe BV.