

## **WMK-01**

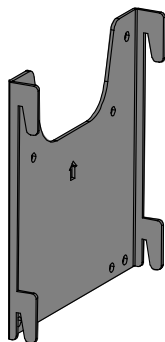
***Quick Guide***  
***Guide Rapide***  
***Kurzanleitung***  
**快速安裝說明**

***Wall Mount Kit***

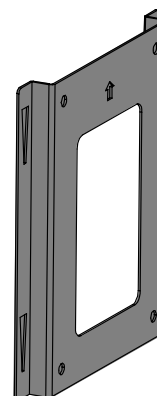
## Package Contents

Before starting wall mount kit installation, be sure that the following items are contained in the box.

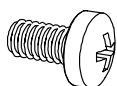
- Display Bracket** (x1)



- Wall Bracket** (x1)

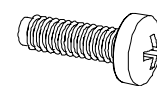


- Screw A\*** : M4-8mm (x4)



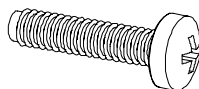
\* Suitable for other AG Neovo displays

- Screw B\*** : M4-15mm (x4)



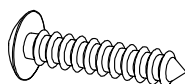
\* Only for M - Series

- Screw C\*** : M4-18mm (x2)

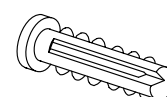


\* Only for S-15E

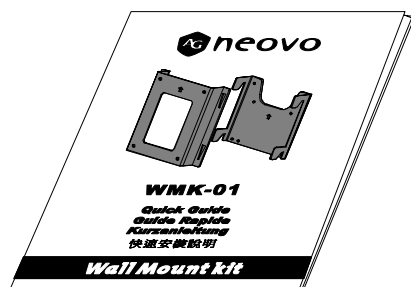
- Screw D** : 4-19mm (x4)



- Wall anchor** : 1/4"-1" (x4)



- Quick Guide** (x1)





## Precautions

- Install your display and wall mount kit on the wall with a flat surface.
- Be sure the wall can support the weight of a display weighing up to 18kgs (40 lbs).
- Use only the provided materials and follow the step-by-step instructions to finish the installation.

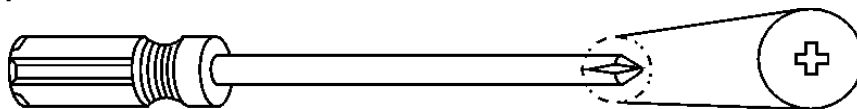
## Applicable LCD Display Models

This wall mount kit complies with VESA's (Video Electronics Standards Association) FPMPI (Flat Panel Display Physical Mounting Interface) Standard. All AG Neovo displays are suitable for this wall mount kit.

## Tools you will need

You may need the following tools to complete wall mount installations.

- Phillips head screwdriver



- Drill with 1/4" (6.35mm) bit (only if you want to install your display on a concrete wall.)

## Setup

Please follow the steps one by one to mount your display on the wall.

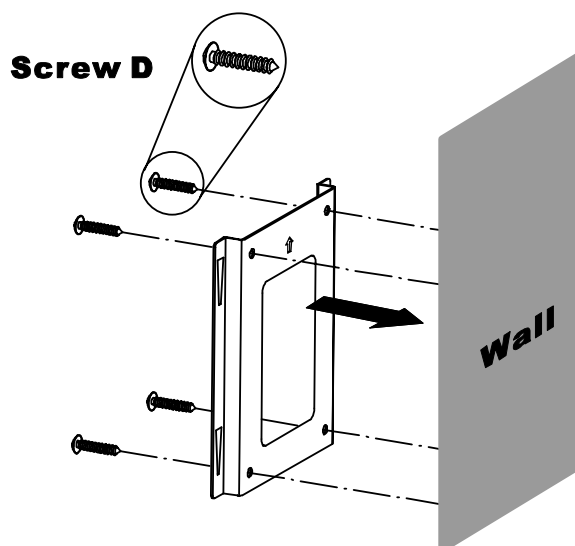
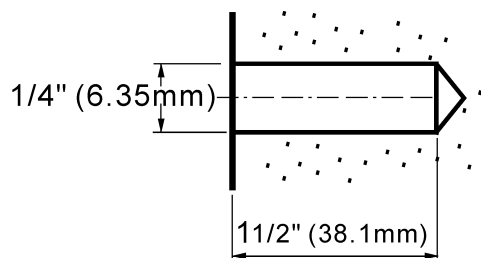
### Step 1: Installing the Wall Bracket onto the Wall



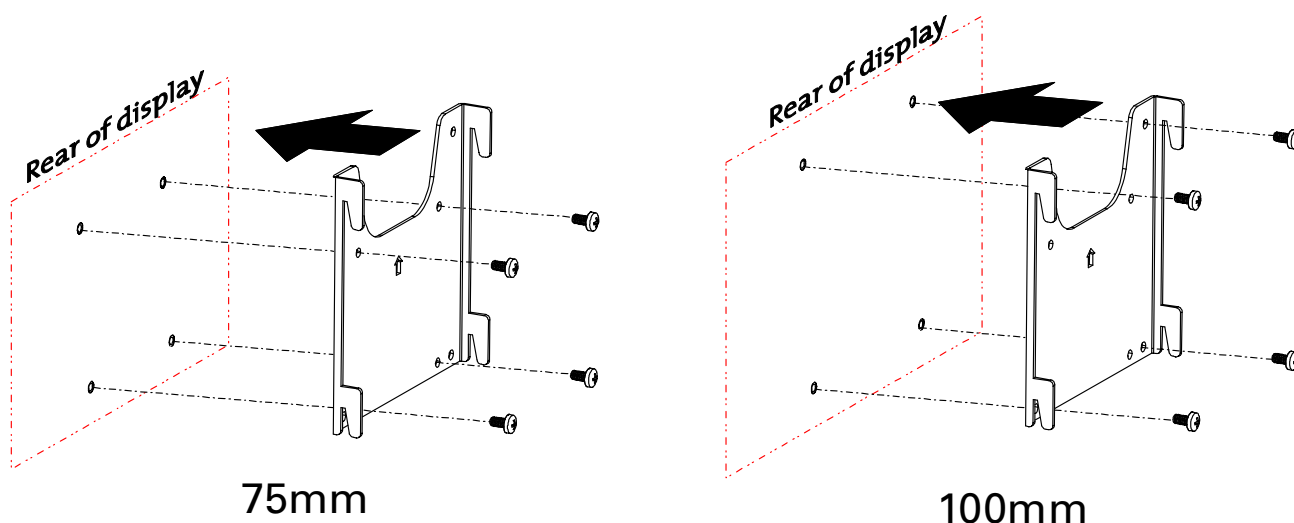
Consult with appropriate engineering or construction personnel to ensure the wall mount kit is mounted properly to handle applied loads.

Depending on the material and construction of the wall, different types of screws and tools will be needed to complete this part of the installation.

- For a wooden wall, you may mount the Wall Bracket to it by using screw D directly.
- For a concrete wall, you need to drill four 1 1/2" (38.1mm) deep holes, insert the 4 wall anchors into the holes accordingly. Then you can use screws D to fix the Wall Bracket to the wall.
- The arrow sign on the metal plate should point upwards.



## Step 2: Installing the Display Bracket to the rear of the LCD display



Use screw A、B or screw C to secure Display Bracket to the rear of display. Line up the holes of the Bracket with the holes in the rear of the display. (The Bracket supports both 75mm and 100mm VESA standards.)

## Step 3: Connect all the cables before attaching display to wall

It is difficult to connect cables after hanging the display on the wall.

## Step 4: Hang the display on the Wall Bracket

The cables should pass through the space between the two Brackets for better cable management.