

1

Masonry Walls or Cement Walls
 注意如果是磚塊牆或水泥牆，鑽孔的孔徑為10mm深55mm。
 Note: For a brick-piled masonry wall or cement wall, holes of 10 mm diameter and 55mm depth shall be made.

Stud Walls
 注意如果是木頭牆，鑽孔的孔徑為4.5mm深55mm。
 Note: For a stud wall, holes of 4.5 mm diameter and 55mm depth shall be made.

2

3

4

將面板顯示器朝下，放置於受保護的表面，使用螺絲(D)將電視支架(B)或(C)鎖緊於面板顯示器後殼。
 Place the display face down on a covered surface. Mount Display bracket (B) or (C) to the back of the display with the Screws (D).

VESA Hole 200*100

VESA Hole 200*200

5

Notice
 鎖緊(E)以固定(A)和(B)。
 Screw (A) & (B) by (E).

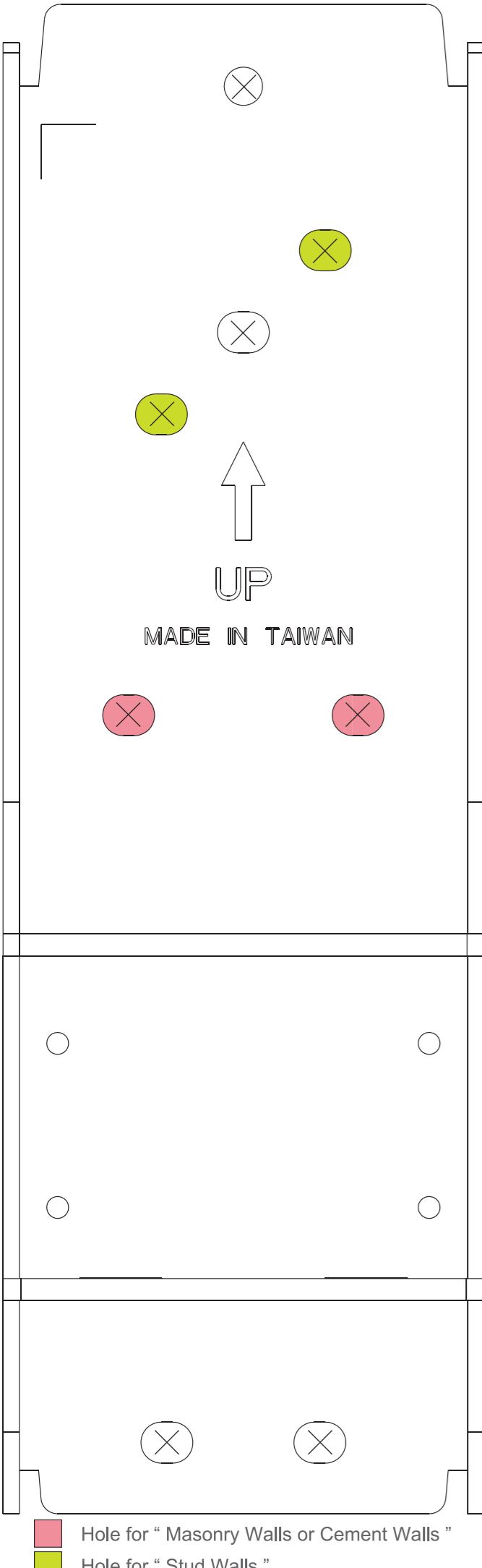
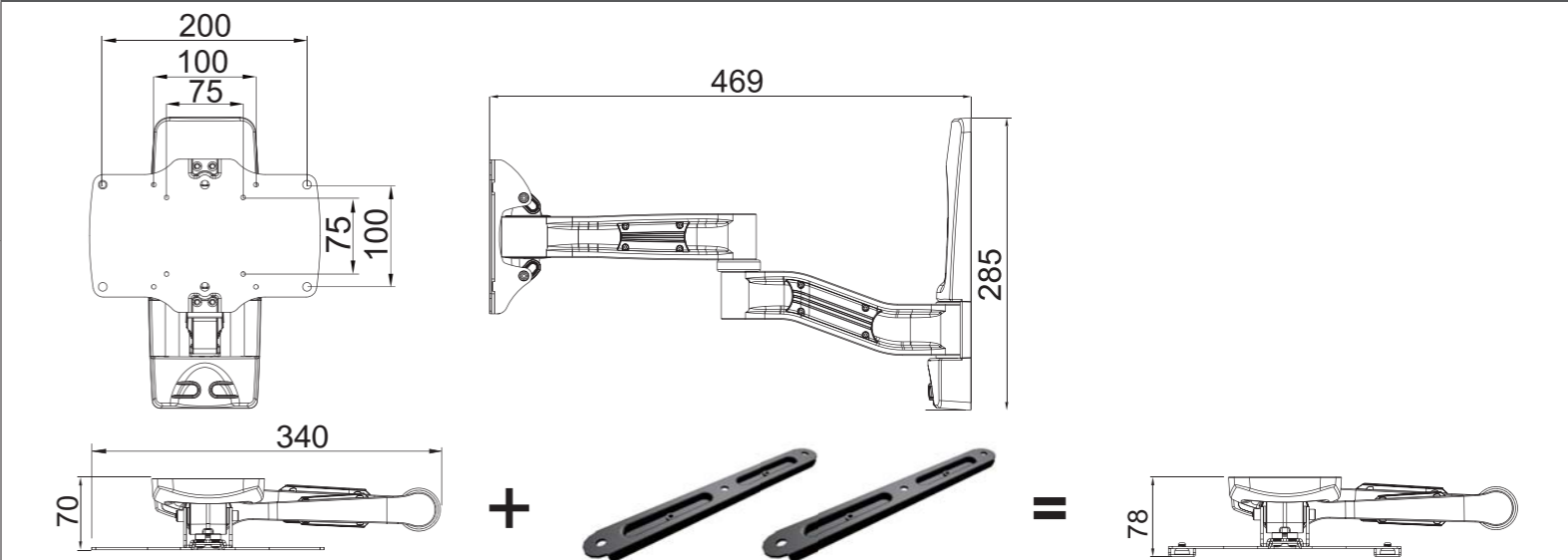
6

Cable Management

Tilt Torque Adjust

Swivel Torque Adjust

外觀尺寸圖(單位：公厘) / Physical Dimensions (mm) / Außenabmessungen (mm) / Dimensions externes (mm) / Dimensiones exteriores (mm) / Dimensioni esterne (mm) / Dimensões físicas (milímetros) / Parametry Fizyczne (Milimetrach) / Физические размеры (миллиметры) / Utsidedimensioner (mm)



Red 'X' Hole for "Masonry Walls or Cement Walls"

Green 'X' Hole for "Stud Walls"